



Pre-season Checks Tempo



Where farming starts



Maintaining your Väderstad machine is always a good investment

Väderstad is known to farmers all over the world for innovation and high-quality products. But even high-quality products need service and support.

Väderstad Service is represented in over 40 countries, either by importers, our fully owned subsidiaries or at more than 1000 dealer locations worldwide. Since we support well over 70 000 machines worldwide, we always stay close to our customers so that we can provide quick and competent support – whenever it's needed. If you experience issues with your Väderstad machine, please turn to your local dealer where their fully qualified service engineers will be able to assist you.

Contents

Introduction	1
How to check your machine	3
Maintenance introduction.....	4
Tempo F.....	6
Tempo V.....	8
Tempo R.....	10
Tempo T.....	12
Tempo L.....	14
Tempo Row Unit.....	16
Väderstad Quickstart guides.....	19
Online documentation	20



How to check your machine

Inspect for optimal performance, trouble-free operation and identify issues before they turn into costly repairs. You should always check your machine before you start the next season. For details about checkpoints and service intervals please read the Instruction manuals maintenance and service section. Always lubricate according to the lubrication chart.

If you experience a break down during an intense working period, the time your machine is down causes frustration and costs money. By carrying out proactive monitoring and preventive maintenance, a great step is taken to avoid situations like this.

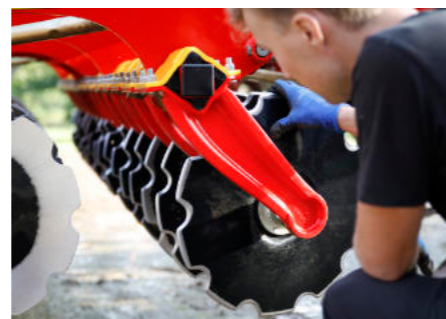
Key points

- Machines need to be fully function checked to ensure they are up to the job prior to your planting season. Your dealer can offer a full check up service and simulate the radar even in your workshop. Please ask for details.
- Check the serial number on the chassis to be sure you get the correct parts from your dealer.
- The Gilstring metering unit should be cleaned at least once a week when planting with the high air intake fitted to the fan. Follow the instruction manual for seed disc replacement and adjustment.

After each season thoroughly wash the machine and for seed drills/planters clean all parts in the seed feed systems. Check the status of wearing parts and follow the greasing and other maintenance intervals given in the instruction manual. During the season, regularly re-tighten joints and inspect for wear, excessive wear on joints may be an indication that the machine setup is not optimal.

Maintenance

Your Väderstad machine is a high-quality high-tech machine. Like all technical equipment regular maintenance and good care is the basis for a trouble-free operation, and a good investment for the future.



Clean

- Wash the machine with a high pressure washer.
- For all drills and planters clean inside the seed feed units and distributor heads with compressed air.
- Clean electrical components with compressed air or by wiping them with a slightly dampened cloth.
- Pay special attention to sections that are affected by fertiliser products.
- Never rinse the bearings with a high-pressure water supply! It is important to grease the bearings after washing in order to remove any water that has remained behind.

Lubricate

It is essential that the machine is lubricated according to the intervals specified in the lubrication chart.

Beside lubrication intervals:

- Always lubricate prior to and after winter storage.
- Always lubricate after washing with high-pressure equipment.

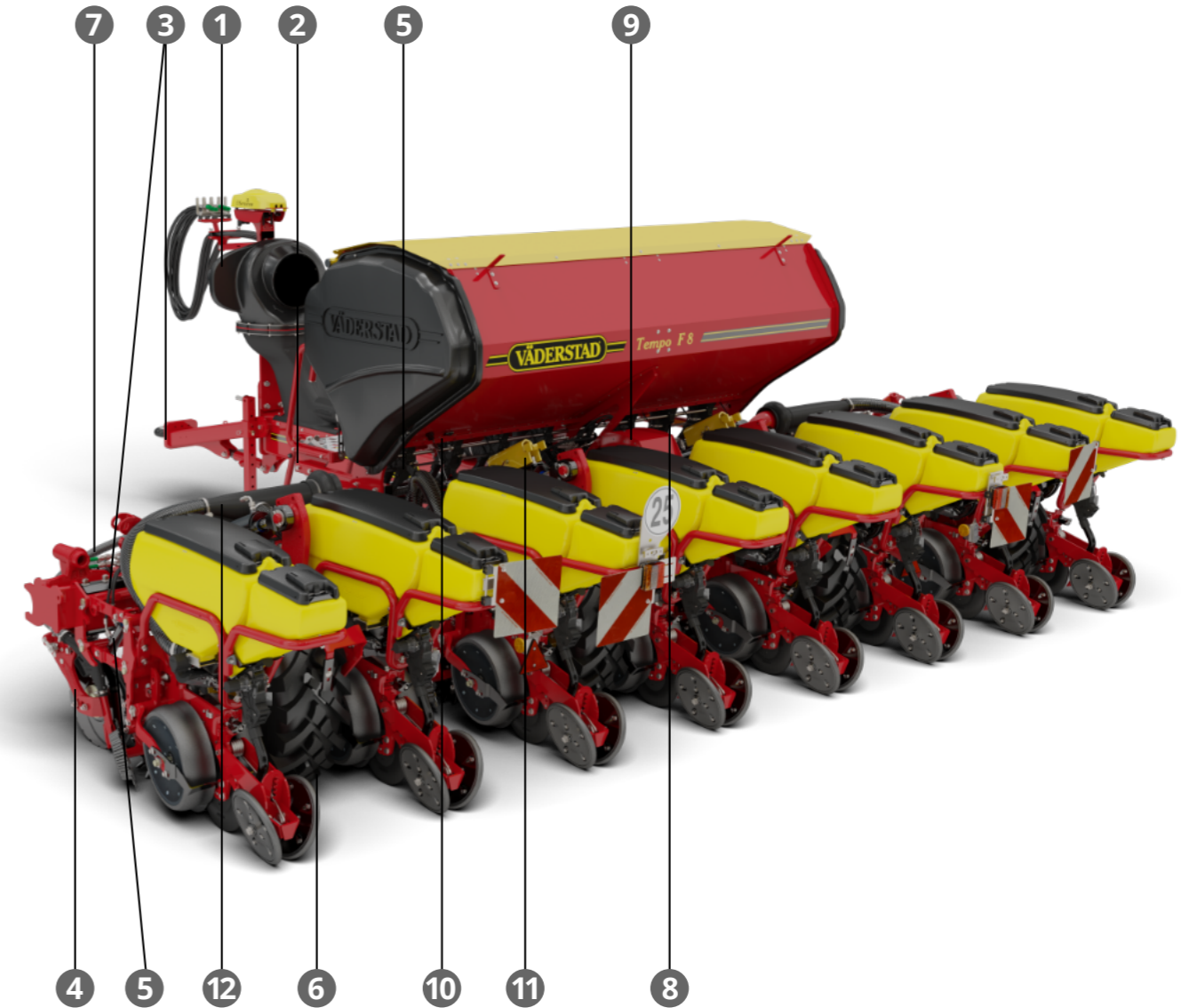
Inspect

- Inspect the wear parts. After a certain point of wear the parts are no longer bringing the result you expect from your Väderstad machine.
- Regularly check that screws and bolts are tightly fitted.
- Inspect for wear in the joints that connect frame sections and hydraulic cylinder mountings. Especially on machines for tillage, excessive wear on joints and hydraulic cylinder mountings may be an indication that machine setup is not optimal. Information to reset to a basic setting can be found in the machine's quick start instructions.



- 1 Check the fan/alternator belt**
 After 500 – 700 hectares we recommend a check of fan, fan belt, bottom belt pulley bearing and the shaft. Insufficient or excessive belt tension will reduce the lifetime of the belt. Clean fan blades from dust.
- 2 Check the function of the radar**
 The radar must be calibrated and cleaned before operating. Ensure that the radar's operating radius is clear from disruptive elements such as hoses or cables.
- 3 Re-tightening bolts. (Towing eye on towed models only)**
 Towing eye (100x110mm width / hole centres) = 277Nm
 Towing eye (145x145mm width / hole centres) = 541Nm
 Row unit and fertiliser coulters = 240Nm. Please note!
 Do not overtighten the bolts that hold row unit and fertiliser coulters.
- 4 Adjust the fertiliser coulters and check fertiliser disc (only with fertiliser option)**
 The spring force may need to be adjusted for variable soil conditions. Replace fertiliser disc if diameter is less than 380mm.
- 5 Check the hydraulic cylinders, hoses and connectors for leakage**
 Leakage on the hydraulic system affects functionality of the machine.
- 6 Check tyre pressures for transport-and support wheels**
 6.5/75-15" = 3bar 6.5/80-12" = 3bar
 10.0/75-15.3" = 5.2-7.1bar 11.5/80-15.3" = 4.5-5.6bar.
- 7 Check for wear on the fertiliser hoses particularly over the folding linkage (only with fertiliser option).**
- 8 Clean & adjust the fertiliser meters (only with fertiliser option)**
 Fertiliser hopper and its output system should be cleaned regularly and always when the season has come to an end.

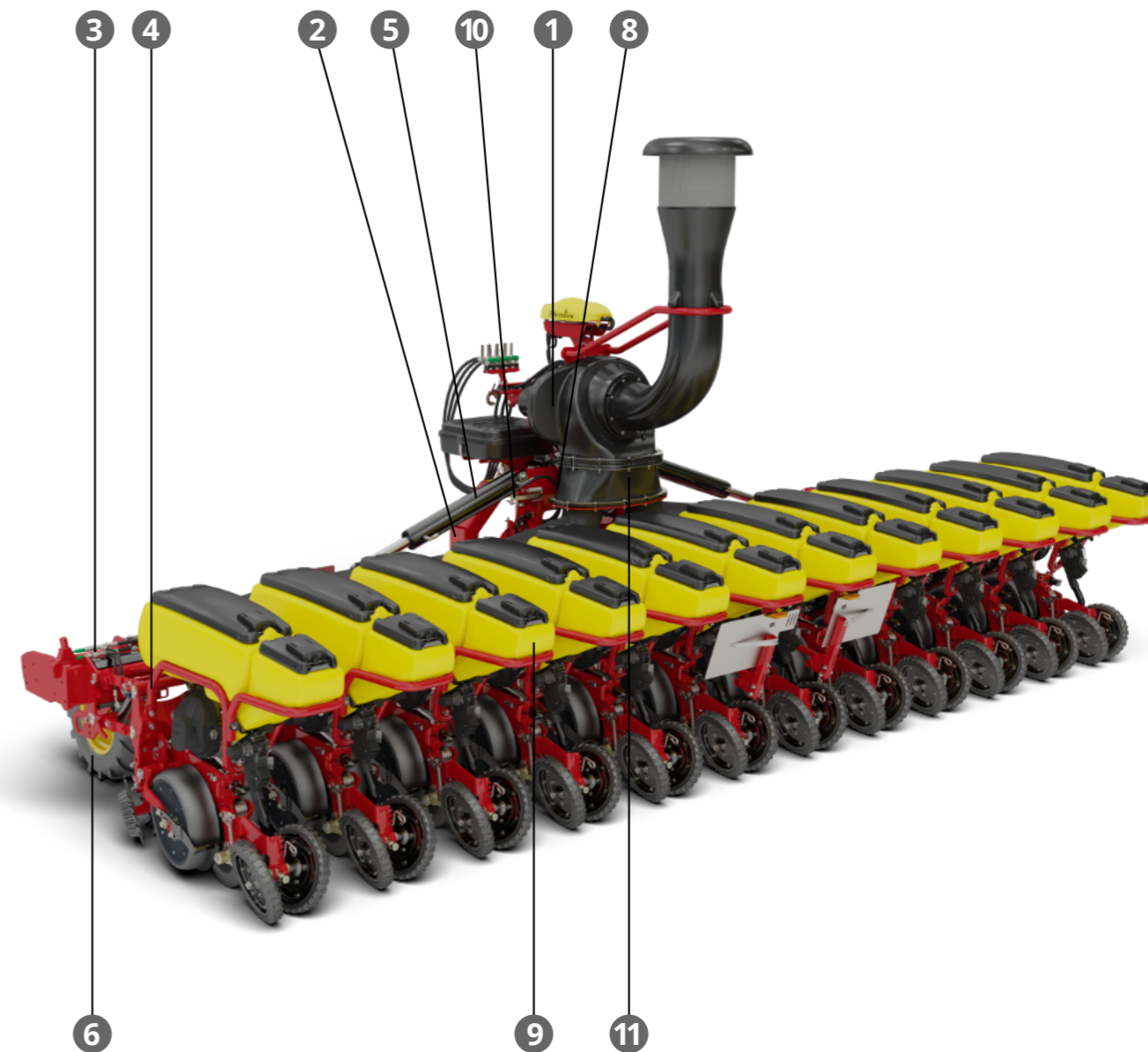
- 9 Check & charge the battery before planting season**
 Store the battery frost-free during winter.
- 10 Check function of the inductive sensor**
 Function test by moving a metal object in front of the sensor diode and the rear of sensor should light up.
- 11 Confirm lift cylinder safely stops are present and functional.**
- 12 Check & clean the air pipes & air intake**
 Make sure that no debris is left in the air system that can affect the airflow.



Safety!
 Carefully read the safety instructions in the instruction manual before any service or maintenance work is carried out. Lubricate according to schedule.

- 1 **Check the fan/alternator belt**
After 500 – 700 hectares we recommend a check of fan, fan belt, bottom belt pulley bearing and the shaft. Insufficient or excessive belt tension will reduce the lifetime of the belt. Clean fan blades from dust.
- 2 **Check the function of the radar**
The radar must be calibrated and cleaned before operating. Ensure that the radar's operating radius is clear from disruptive elements such as hoses or cables.
- 3 **Re-tightening of bolts.**
Row unit and fertiliser coulters = 240Nm. Please note! Do not overtighten the bolts that hold row unit and fertiliser coulters.
- 4 **Adjust the fertiliser coulters and check fertiliser disc (only with fertiliser option)**
The spring force may need to be adjusted for variable soil conditions. Replace fertiliser disc if diameter is less than 380mm.
- 5 **Check the hydraulic cylinders, hoses and connectors for leakage**
Leakage on the hydraulic system affects functionality of the machine.
- 6 **Check tyre pressures for transport and support wheels**
6.5/75-15" = 3 bar 6.5/80-12" = 3bar
10.0/75-15.3" = 5.2-7.1bar 11.5/80-15.3" = 4.5-5.6bar
- 7 **Check for wear on the fertiliser hoses particularly over the folding linkage (only with fertiliser option).**
- 8 **Check & charge the battery before planting season**
Store the battery frost-free during winter.
- 9 **Check function of the inductive sensor**
Function test by moving a metal object in front of the sensor diode and the rear of sensor should light up.

- 10 **Confirm lift cylinder safely stops are present and functional.**
- 11 **Check & clean the air pipes & air intake**
Make sure that no debris is left in the air system that can affect the airflow.



Safety!

Carefully read the safety instructions in the instruction manual before any service or maintenance work is carried out. Lubricate according to schedule.

- 1 Check the fan/alternator belt**
After 500–700 hectares we recommend a check of fan, fan belt, bottom belt pulley bearing and the shaft. Insufficient or excessive belt tension will reduce the lifetime of the belt. Clean fan blades from dust.
- 2 Check the function of the radar**
The radar must be calibrated and cleaned before operating. Ensure that the radar's operating radius is clear from disruptive elements such as hoses or cables.
- 3 Re-tightening of bolts.**
Row unit and fertiliser coulters = 240Nm. Please note! Do not overtighten the bolts that hold row unit and fertiliser coulters.
- 4 Adjust the fertiliser coulters and check fertiliser disc (only with fertiliser option)**
The spring force may need to be adjusted for variable soil conditions. Replace fertiliser disc if diameter is less than 380mm.
- 5 Check the hydraulic cylinders, hoses and connectors for leakage**
Leakage on the hydraulic system affects functionality of the machine.
- 6 Check tyre pressures for transport-and support wheels**
6.5/75-15" = 3bar 6.5/80-12" = 3bar
10.0/75-15.3" = 5.2-7.1bar 11.5/80-15.3" = 4.5-5.6bar
- 7 Check for wear on the fertiliser hoses particularly over the folding linkage (only with fertiliser option).**
- 8 Clean & adjust the fertiliser meters (only with fertiliser option)**
Fertiliser hopper and its output system should be cleaned regularly and always when the season has come to an end.
- 9 Check & charge the battery before planting season**
Store the battery frost-free during winter.

- 10 Check function of the inductive sensor**
Function test by moving a metal object in front of the sensor diode and the rear of sensor should light up.
- 11 Check & clean the air pipes & air intake**
Make sure that no debris is left in the air system that can affect the airflow.

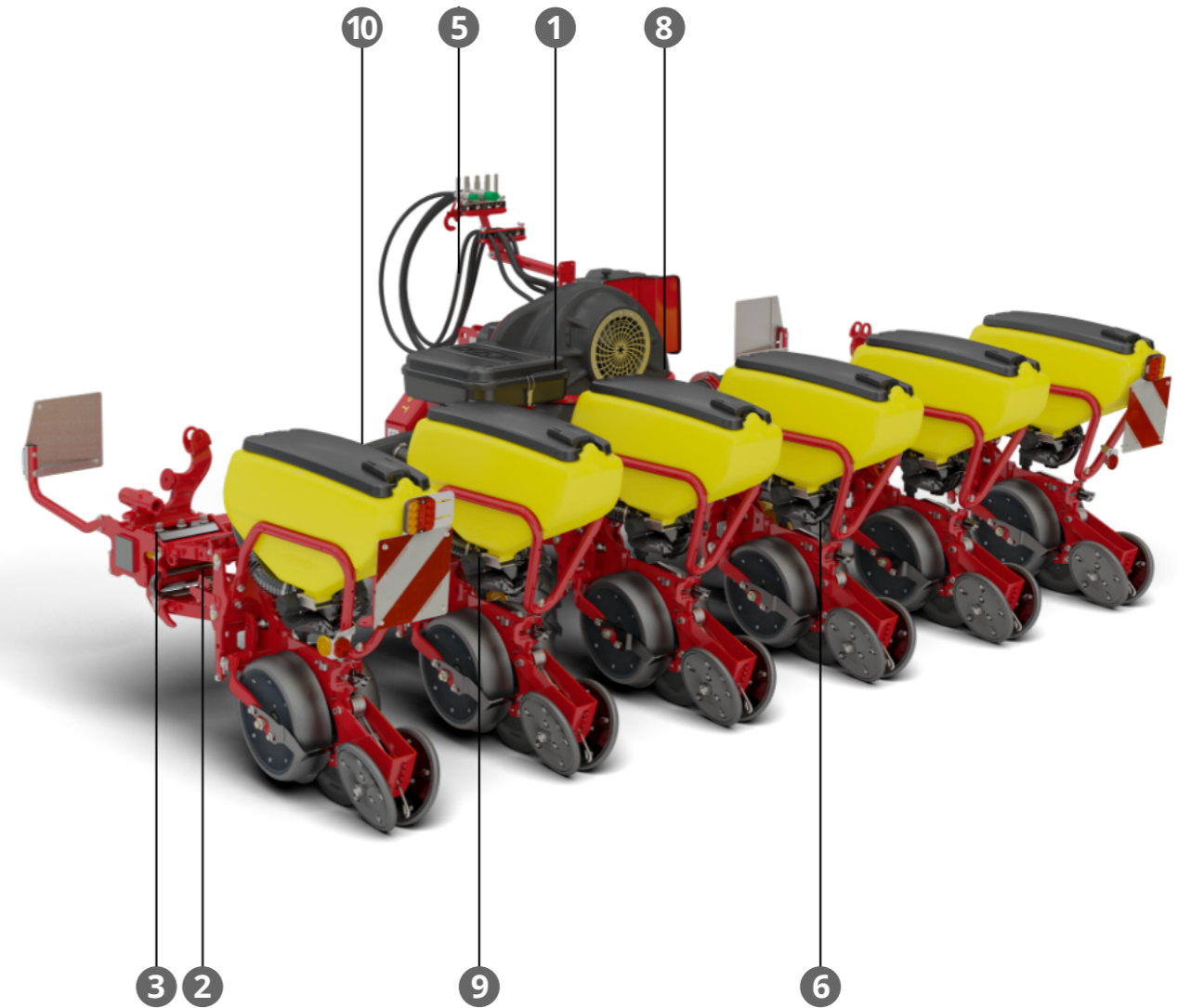


Safety!

Carefully read the safety instructions in the instruction manual before any service or maintenance work is carried out. Lubricate according to schedule.

- 1 Check the fan/alternator belt**
 After 500 – 700 hectares we recommend a check of fan, fan belt, bottom belt pulley bearing and the shaft. Insufficient or excessive belt tension will reduce the lifetime of the belt. Clean fan blades from dust.
- 2 Check the function of the radar**
 The radar must be calibrated and cleaned before operating. Ensure that the radar's operating radius is clear from disruptive elements such as hoses or cables.
- 3 Re-tightening of bolts.**
 Row unit and fertiliser coulters = 240Nm. Please note! Do not overtighten the bolts that hold row unit and fertiliser coulters.
- 4 Adjust the fertiliser coulters and check fertiliser disc (only with fertiliser option)**
 The spring force may need to be adjusted for variable soil conditions. Replace fertiliser disc if diameter is less than 380mm.
- 5 Check the hydraulic cylinders, hoses and connectors for leakage**
 Leakage on the hydraulic system affects functionality of the machine.
- 6 Check tyre pressures for transport-and support wheels**
 6.5/75-15" = 3bar 6.5/80-12" = 3bar
 10.0/75-15.3" = 5.2-7.1bar 11.5/80-15.3" = 4.5-5.6bar
- 7 Check for wear on the fertiliser hoses particularly over the folding linkage.**
- 8 Check & charge the battery before planting season**
 Store the battery frost-free during winter.
- 9 Check function of the inductive sensor**
 Function test by moving a metal object in front of the sensor diode and the rear of sensor should light up.

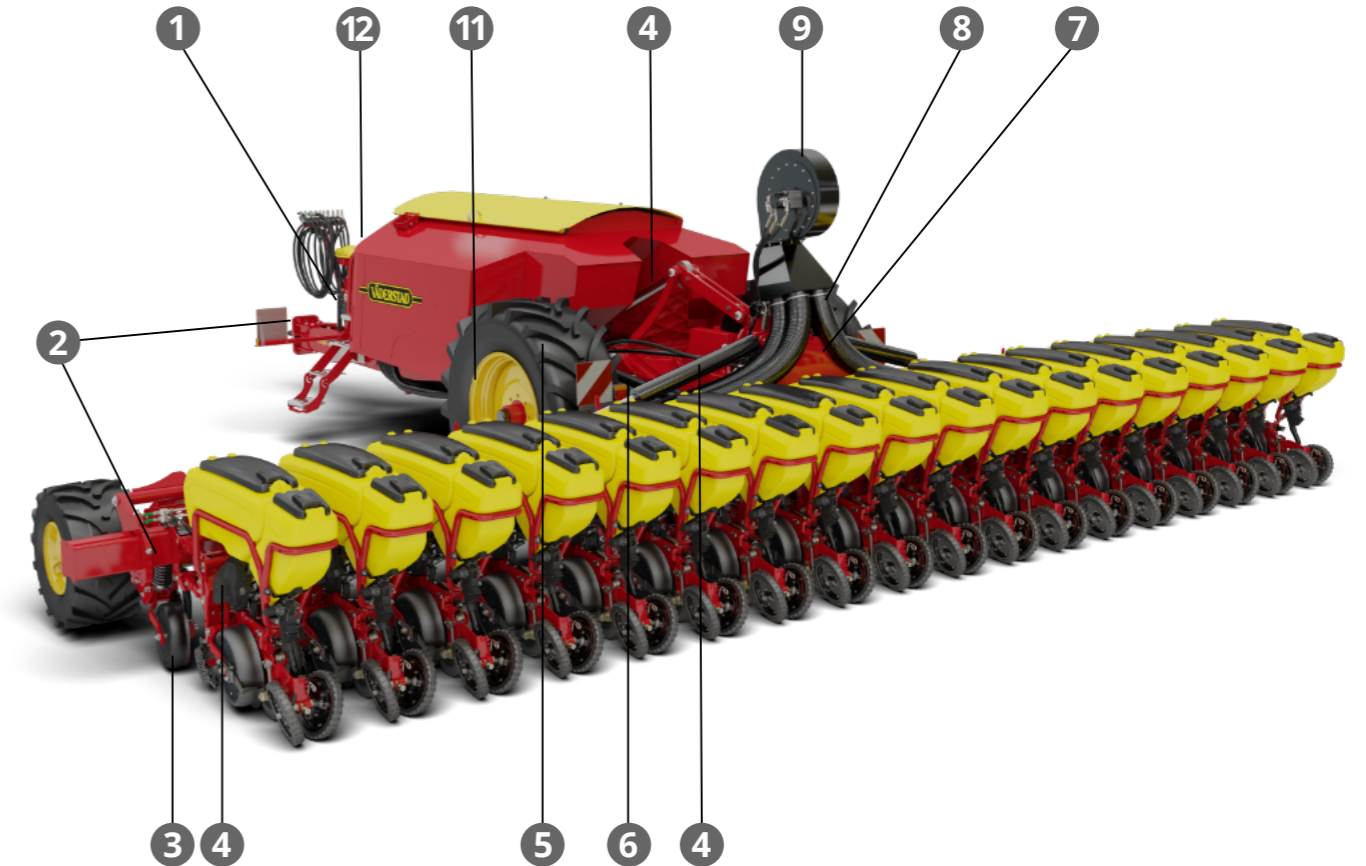
- 10 Check & clean the air pipes & air intake**
 Make sure that no debris is left in the air system that can affect the airflow.



Safety!
 Carefully read the safety instructions in the instruction manual before any service or maintenance work is carried out. Lubricate according to schedule.

- 1 Check the function of the radar**
The radar must be calibrated and cleaned before operating. Ensure that the radar's operating radius is clear from disruptive elements such as hoses or cables.
- 2 Re-tightening of bolts. (Towing eye on towed models only)**
Towing eye (100x110 mm width / hole centres) = 277Nm
Towing eye (145x145 mm width / hole centres) = 541Nm
Row unit and fertiliser coulters = 240Nm. Please note! Do not overtighten the bolts that hold row unit and fertiliser coulters.
- 3 Adjust the fertiliser coulters and check fertiliser disc (only with fertiliser option)**
The spring force may need to be adjusted for variable soil conditions. Replace fertiliser disc if diameter is less than 380mm.
- 4 Check the hydraulic cylinders, hoses and connectors for leakage**
Leakage on the hydraulic system affects functionality of the machine.
- 5 Check tyre pressures for transport wheels**
600/65 R34 = 1.6bar 540/65 R34 = 1.6bar
320/90 R42 = 1.6bar 270/95 R44 = 1.7bar
- 6 Check the telescopic wheel carrier**
Clean the slide bars from dust and dirt. On machines manufactured before summer 2020 use PTFE type of lubricant. On later models use grease. These models are recognised by grease nipples that are located above and below the wheel carrier on each side.
- 7 Check & charge the battery before planting season**
Store the battery frost-free during winter.
- 8 Check & clean the air pipes & air intake**
Make sure that no debris is left in the air system that can affect the airflow.

- 9 Check the seed distribution fan**
Clean fan blades from dust. On 6–7m models check fan belt after 500–700 hectares. Insufficient or excessive belt tension will reduce lifetime of belt.
- 10 Check the function of inductive sensors**
Function test by moving a metal object in front of the sensor diode and the rear of the sensor should light up.
- 11 Clean & adjust the fertiliser meters (only with fertiliser option)**
Fertiliser hopper and its output system should be cleaned regularly and always when the season has come to an end. Clean fertiliser meters and check for wear or damage of the plastic and rubber parts. Clean and check rollers for wear or damage.
- 12 Check the fertiliser distribution fan (only with fertiliser option)**
Clean fan blades from dust.



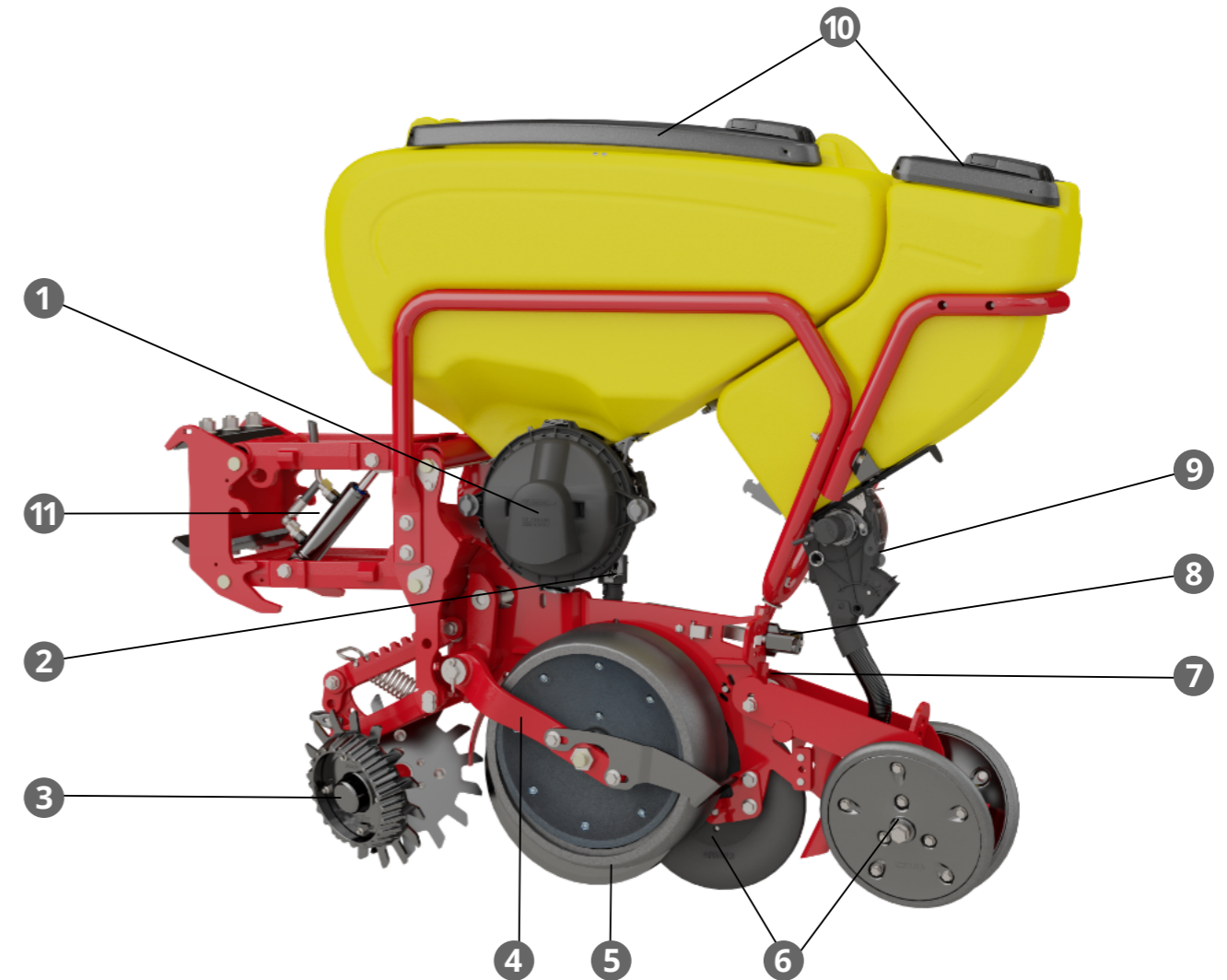
Safety!

Carefully read the safety instructions in the instruction manual before any service or maintenance work is carried out. Lubricate according to schedule.

Tempo row unit

- 1 Check and clean the seed housing every season**
Singulator, knock out wheel, seed discs and roller have a wear limit. For longer storage, remove seed disc from the seed meter and store separately.
- 2 Check and clean the seed sensor**
LED light should operate when functioning.
- 3 Check function of the row-cleaner and bearings**
On the floating row cleaner (shown in picture) the spring force may need to be adjusted depending on field conditions. On the fixed row cleaner, the working depth may need to be adjusted depending on field conditions.
- 4 Check status of the gauge wheels and linkage**
Damaged gauge wheels or non functional suspension seriously affects end results.
- 5 Check wear and alignment of seed discs**
Contact between V discs must be 3.5 – 5cm to ensure an accurate V-shaped furrow. Replace seed disc if diameter is less than 350mm.
- 6 Check status of closing and stop wheels**
Damaged or non functional closing and stop wheels seriously affects end result.
- 7 Check the linkage and spring for the closing wheel arm**
The spring force may need to be adjusted depending on the soil conditions.
- 8 Check the settings for planting depth**
Settings may need to be adjusted depending on field conditions.
- 9 Clean and adjust the micro granulate system**
Micro granulate meters, hoses and coulters should be cleaned regularly and always when the season has come to an end.
- 10 Check the lids seal for leaks**
Keep lids open when stored for longer periods to avoid deformation of the sealings.

- 11 Check the function of hydraulic weight transfer (optional)**
Leakage on the hydraulic system affects functionality.
- or
- Adjust the spring on parallel linkage (optional)**
The spring force may need to be adjusted depending on the soil conditions. Adjust to minimum pressure when stored for longer periods.



Safety!

Carefully read the safety instructions in the instruction manual before any service or maintenance work is carried out. Lubricate according to schedule.



QuickStart guides Tempo T

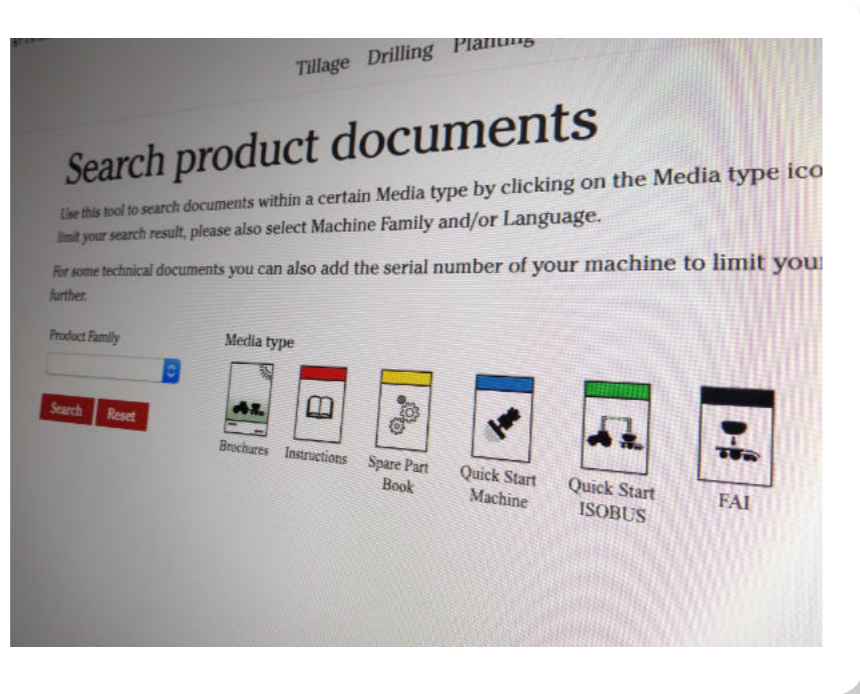


Connecting to tractor - Tempo T
Learn how to connect your Tempo T to the tractor.

Quickstart guides

www.vaderstad.com/uk/service--parts/quickstart-guides

Available on the Väderstad website, the Väderstad QuickStart guides tell you everything you need to know to correctly setup and start using your Tempo planter.



Search product documents

www.vaderstad.com/uk/products/search-product-documents

Available on the Väderstad website, the document search page provides the ability for you to search for documents related to your machine. To limit your search result even further for technical documents, you can even add the serial number of your particular Tempo.





VÄDERSTAD

Where farming starts